

Welding Positioner PRO 4

Welding positioner for turning and tilting with a 120 mm hollow shaft

Item no: 71801168



Features

- Tilting and clamping from 0° to 90°.
- Start/stop via location-independent foot switch.
- Rotating direction adjustable: cw/ccw.
- Rotating time adjustable.
- 120 mm hollow shaft.
- Table diameter: 400 mm. The surface is chrome-plated as a protection against weld spatters.
- Table speed adjustable from 0,2 – 2 rpm.
- Welding machine can be actuated via turntable control.
- Mass contact transmits 300A/100%.
- Turntable and control are separated.
- HF-protected.



Model	PRO 4
Supply voltage	AC 230 V/50 Hz
Ground connection	300 A/100 %
Tilting range	0° – 90°
Table diameter	400 mm
Speed	0,2 – 2 rpm
Rotating directions	cw/ccw
Max. load A	400 kg
Max. load B	190 kg
Hollow shaft	120 mm
Measurements (L x W x H) mm	480x 400 x 425
Weight	69 kg
Item no.	71801116

Welding Positioner PRO 4

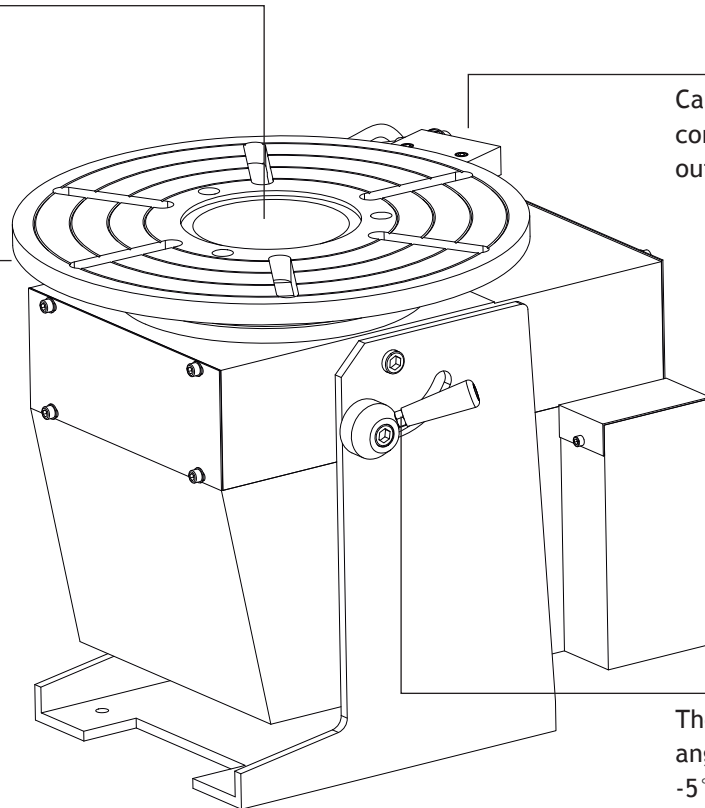
Internal diameter 120 mm.
Pass through holes

Carbon brush electric
conduction, the copper alloy
outer cover dispels the heat.

The table is electroplated, it
is not apt to stick dregs.

All right use of two sides of
the table.

Level nick and the standard
lathe uses the 9" 3- chuck
flange.



The screw locks the regular
angle. Table angle range:
-5° to 95°

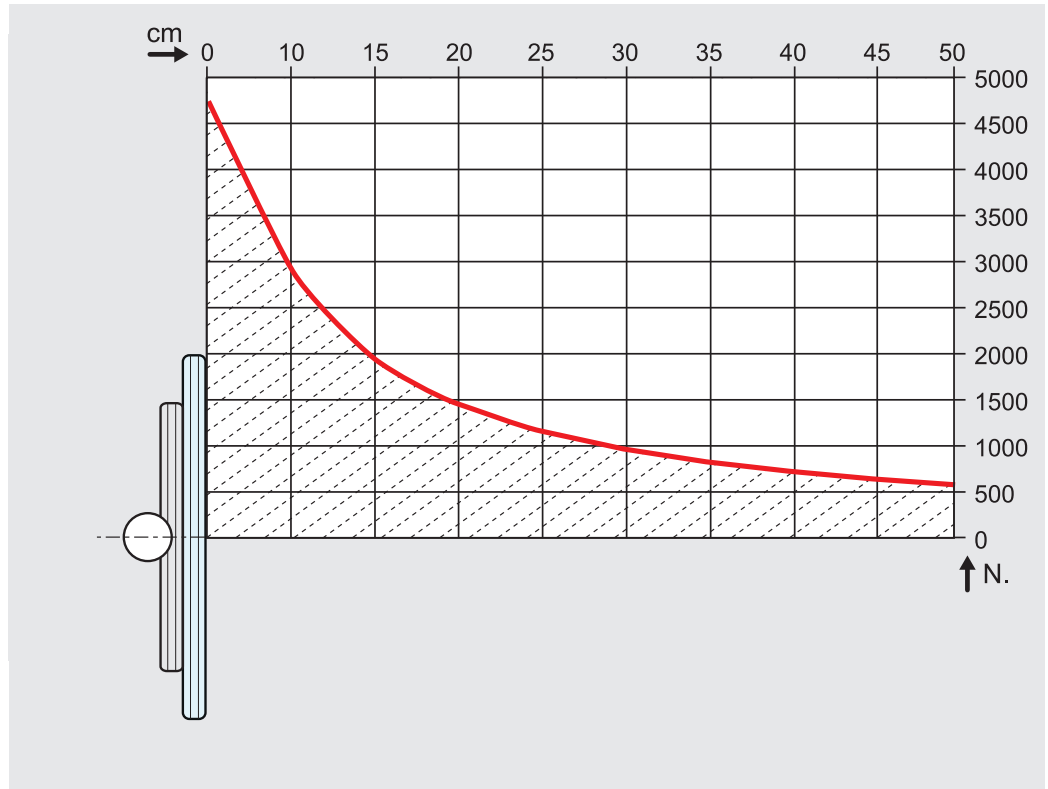
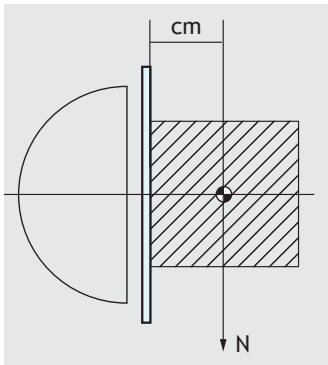
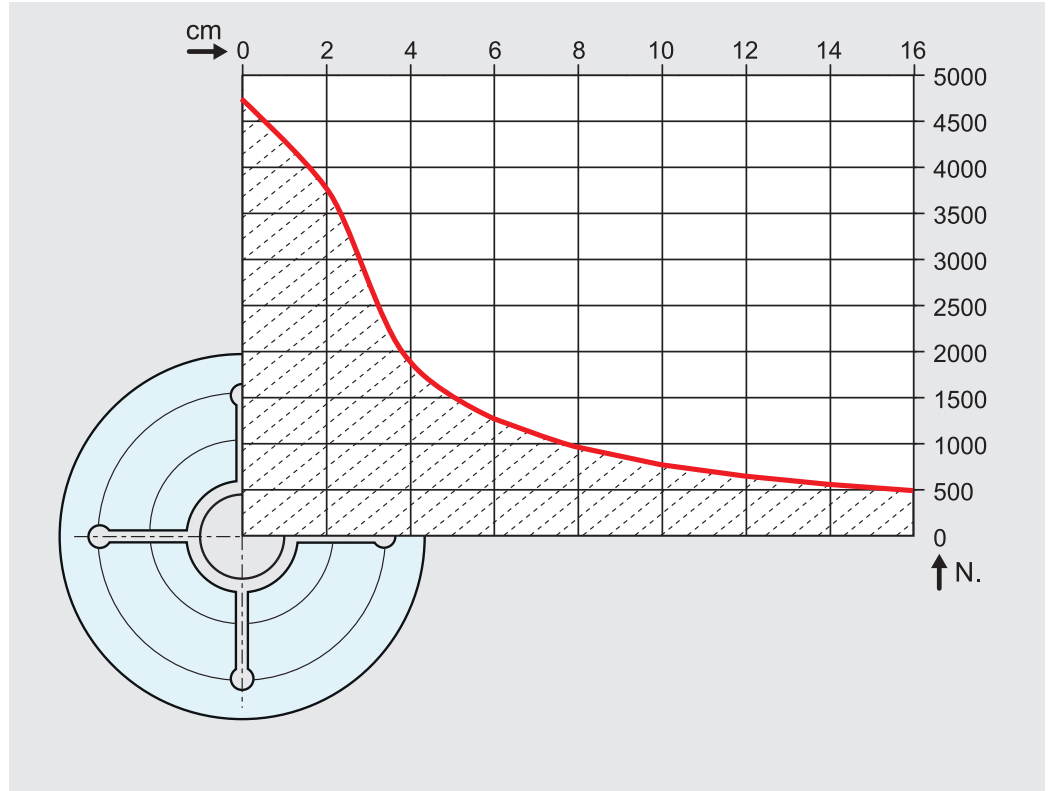
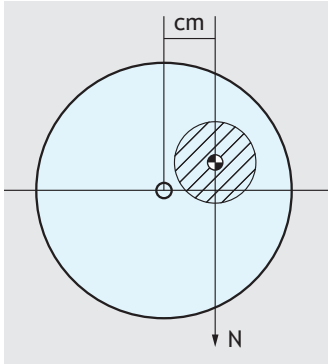
Welding methods

- MIG/MAG
- TIG
- Cable-TIG
- Plasma welding
- SAW

Air cooling, duty cycle 300A /100%

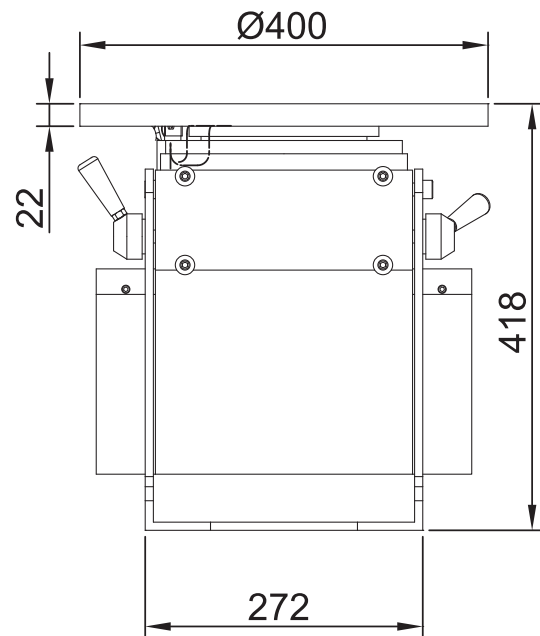
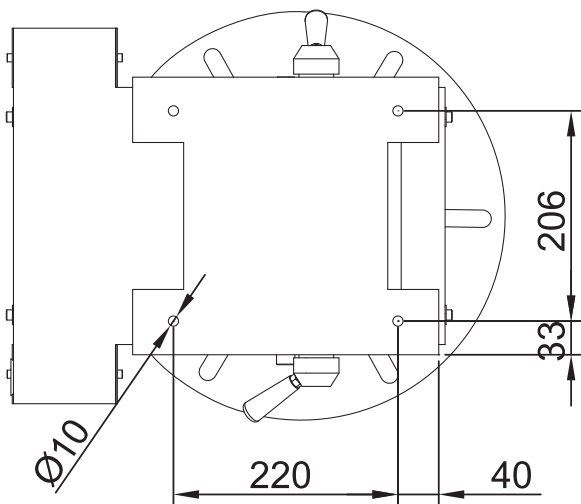
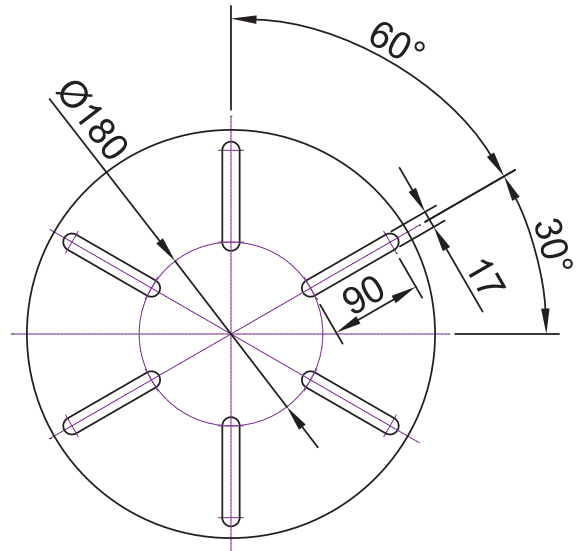
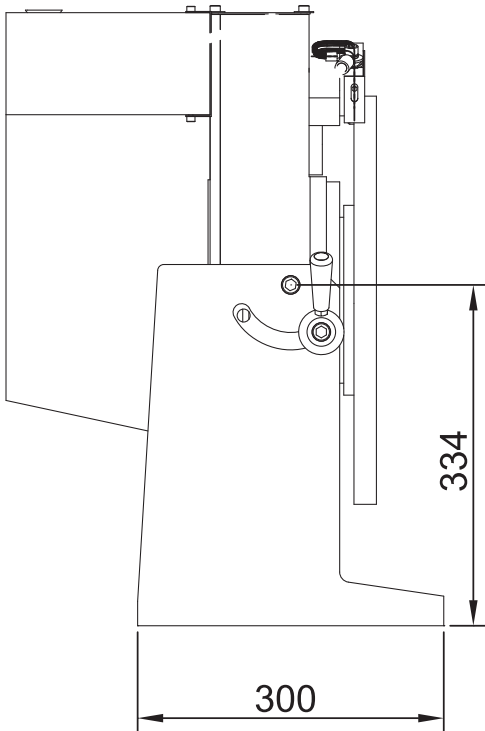
Welding Positioner PRO 4

Load diagram



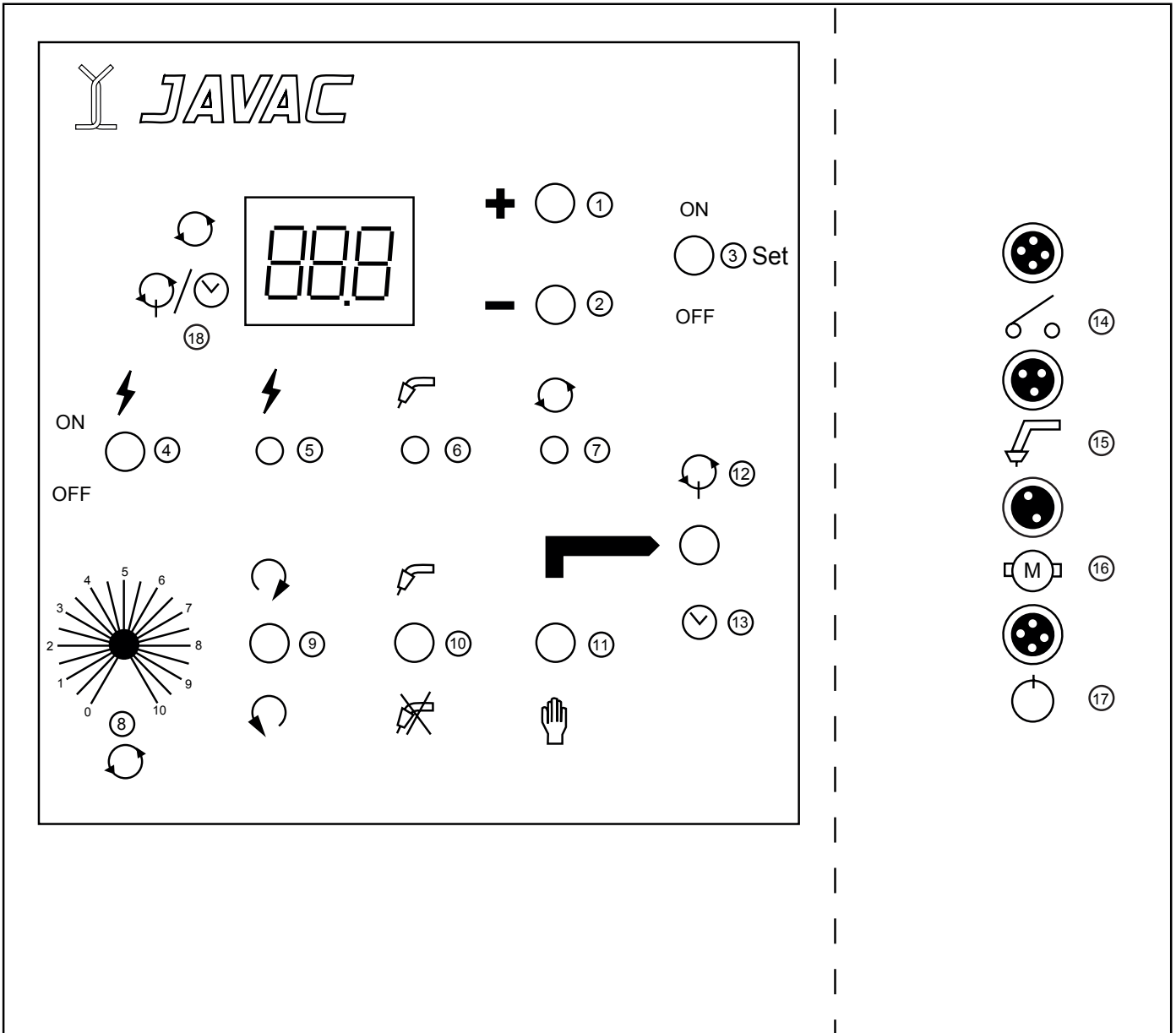
Welding Positioner PRO 4

Size



Welding Positioner PRO 4

Standard control COM 2800



- 1) Value setting (+), increase
- 2) Value setting (-), decrease
- 3) Timer ON/OFF
- 4) Power ON/OFF
- 5) Power LED (ON)
- 6) Welding LED (ON)

- 7) Turntable LED (ON)
- 8) Turning speed (rpm)
- 9) Turning direction cw/ccw
- 10) Welding start
- 11) Auto
- 12) Overlap welding
- 13) Timer

- 14) Foot switch socket (4p)
- 15) Torch socket (3p)
- 16) Table motor socket (2p)
- 17) Limit switch socket (4p)
- 18) Display
(Unit 0,1 sec)